



# COMMERCIAL OPERATOR MANUAL

IMPORTANT INFORMATION, KEEP FOR OPERATOR

USA & Canada, 866-339-8515  
4003 Collins Lane, Louisville, KY 40245  
www.kelvinatorcommercial.com

**THIS MANUAL MUST BE RETAINED FOR FUTURE REFERENCE. READ, UNDERSTAND AND FOLLOW THE INSTRUCTIONS AND WARNINGS CONTAINED IN THIS MANUAL.**

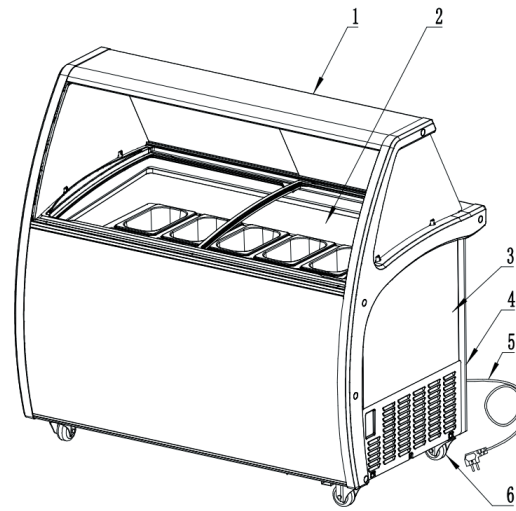
**FOR YOUR SAFETY** Do not store or use gasoline or other flammable vapors and liquids in the vicinity of this or any other appliance.

**NOTIFY CARRIER OF DAMAGE AT ONCE** It is the responsibility of the consignee to inspect the container upon receipt of same and to determine the possibility of any damage, including concealed damage. Electrolux Professional suggests that if you are suspicious of damage to make a notation on the delivery receipt. It will be the responsibility of the consignee to file a claim with the carrier. We recommend that you do so at once.

Manufacture Service/Questions 866-339-8515.

This manual provides information for:

## DIPPING CABINET



1. Canopy
2. Glass lid
3. Cabinet
4. Control panel
5. Power cord
6. Castor

## RETAIN THIS MANUAL FOR FUTURE REFERENCE

**NOTICE:** Due to a continuous program of product improvement, Electrolux Professional reserves the right to make changes in design and specifications without prior notice.

**NOTICE:** Please read the entire manual carefully before installation. If certain recommended procedures are not followed, warranty claims will be denied.

## EQUIPMENT DESCRIPTION

MODEL NO.	EFFECTIVE VOLUME (FT <sup>3</sup> )	TDA (FT <sup>2</sup> )	NET WEIGHT (LBS)	OVERALL DIMENSION (IN)
KCICDC4FH	6	3.7	181	32-7/8" x 33" x 50"
KCICDC6FH	8.48	5.06	240	42-1/2" x 33" x 50"
KCICDC8FH	10.92	6.98	271	53-1/8" x 33" x 50"
KCICDC10FH	13.91	8.89	335	67-3/4" x 33" x 50"

## RECEIVING & INSPECTING THE EQUIPMENT

Even though most equipment is shipped crated, care should be taken during unloading so the equipment is not damaged while being moved into the building.

1. Visually inspect the exterior of the package and skid or container. Any damage should be noted and reported to the delivering carrier immediately.
2. If damaged, open and inspect the contents with the carrier.
3. In the event that the exterior is not damaged, yet upon opening, there is concealed damage to the equipment, notify the carrier. Notification should be made verbally as well as in written form.
4. Request an inspection by the shipping company of the damaged equipment. This should be done within 10 days from receipt of the equipment.
5. Be certain to check the compressor compartment housing and visually inspect the refrigeration package. Be sure lines are secure and base is still intact.
6. Freight carriers can supply the necessary damage forms upon request.
7. Retain all crating material until an inspection has been made or waived.

## IMPORTANT - READ FIRST - IMPORTANT

YOUR SAFETY AND THE SAFETY OF OTHERS ARE VERY IMPORTANT.

WE HAVE PROVIDED MANY IMPORTANT SAFETY MESSAGES IN THIS MANUAL AND ON YOUR APPLIANCE. ALWAYS READ AND OBEY ALL SAFETY MESSAGES.



THESE ARE THE SAFETY ALERT SYMBOLS. THESE SYMBOL ALERT YOU TO POTENTIAL HAZARDS THAT CAN KILL OR INJURE YOU AND OTHERS. ALL SAFETY MESSAGES WILL FOLLOW THE SAFETY ALERT SYMBOLS AND EITHER THE WORDS "DANGER", "WARNING" OR "CAUTION".



DANGER MEANS THAT FAILURE TO HEED THIS SAFETY STATEMENT MAY RESULT IN SEVERE PERSONAL INJURY OR DEATH.



WARNING MEANS THAT FAILURE TO HEED THIS SAFETY STATEMENT MAY RESULT IN EXTENSIVE PRODUCT DAMAGE, SERIOUS PERSONAL INJURY, OR DEATH.

CAUTION MEANS THAT FAILURE TO HEED THIS SAFETY STATEMENT MAY RESULT IN MINOR OR MODERATE PERSONAL INJURY, OR PROPERTY OR EQUIPMENT DAMAGE.

ALL SAFETY MESSAGES WILL ALERT YOU TO WHAT THE POTENTIAL HAZARD IS, TELL YOU HOW TO REDUCE THE CHANCE OF INJURY, AND LET YOU KNOW WHAT CAN HAPPEN IF THE INSTRUCTIONS ARE NOT FOLLOWED.

BEFORE THE CHEST SHOWCASE IS USED, IT MUST BE PROPERLY POSITIONED AND INSTALLED AS DESCRIBED IN THIS MANUAL, SO READ THE MANUAL CAREFULLY. TO REDUCE THE RISK OF FIRE, ELECTRICAL SHOCK OR INJURY WHEN USING THE CHEST SHOWCASE, FOLLOW BASIC PRECAUTIONS, INCLUDING THE FOLLOWING:

- DANGER:** THIS APPLIANCE IS NOT INTENDED FOR USE BY PERSONS (INCLUDING CHILDREN) WITH REDUCED PHYSICAL, SENSORY OR MENTAL CAPABILITIES, OR LACK OF EXPERIENCE AND KNOWLEDGE, UNLESS THEY HAVE BEEN GIVEN SUPERVISION OR INSTRUCTION CONCERNING USE OF THE APPLIANCE BY A PERSON RESPONSIBLE FOR THEIR SAFETY
- DANGER:** CHILDREN SHOULD BE SUPERVISED TO ENSURE THAT THEY DO NOT PLAY WITH THE APPLIANCE.
- DANGER:** RISK OF CHILD ENTRAPMENT: CHILD ENTRAPMENT AND SUFFOCATION ARE NOT PROBLEMS OF THE PAST. JUNKED OR ABANDONED SHOWCASES ARE STILL DANGEROUS, EVEN IF THEY WILL "JUST SIT IN THE GARAGE A FEW DAYS."
- DANGER:** BEFORE YOU THROW AWAY YOUR OLD SHOWCASE: TAKE OFF THE DOORS. LEAVE THE SHELVES IN PLACE SO THAT CHILDREN MAY NOT EASILY CLIMB INSIDE.
- DANGER:** PLEASE ACCORDING TO LOCAL REGULATION DISPOSAL OF THE APPLIANCE FOR ITS FLAMMABLE REFRIGERANT AND BLOWING GAS.
- DANGER:** THE SHOWCASE MUST USE THE SEPARATE PIN OUTLET TO BE CONNECTED WITH EARTH CORRECTLY, NEVER WITH THE HEATING PIPE AND COAL GAS PIPE.
- DANGER:** THE SHOWCASE SHALL BE POSITIONED SO THAT THE PLUG IS ACCESSIBLE.
- DANGER:** IF THE SUPPLY CORD IS DAMAGED, THE MANUFACTURER OF ITS SERVICE AGENT OR A SIMILARLY QUALIFIED PERSON MUST REPLACE IT IN ORDER TO AVOID A HAZARD.
- DANGER:** DO NOT ATTEMPT TO REPAIR OR REPLACE ANY PART OF YOUR CHEST SHOWCASE UNLESS IT IS SPECIFICALLY RECOMMENDED IN THIS MATERIAL. ALL OTHER SERVICING SHOULD BE REFERRED TO A QUALIFIED TECHNICIAN.
- WARNING:** THE CHEST SHOWCASE SHOULD NOT BE LOCATED NEXT TO OVENS, GRILLS OR OTHER SOURCES OF HIGH HEAT.
- WARNING:** KEEP VENTILATION OPENINGS, IN THE APPLIANCE ENCLOSURE OR IN THE BUILT-IN STRUCTURE, CLEAR OF OBSTRUCTION.
- WARNING:** DO NOT USE MECHANICAL DEVICES OR OTHER MEANS TO ACCELERATE

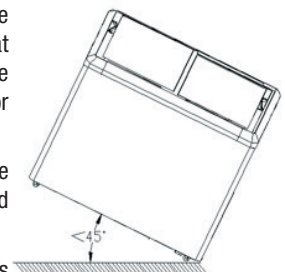
THE DEFROSTING PROCESS, OTHER THAN THOSE RECOMMENDED BY THE MANUFACTURER.

- WARNING:** DO NOT DAMAGE THE REFRIGERANT CIRCUIT.
- WARNING:** DO NOT USE ELECTRICAL APPLIANCES INSIDE THE FOOD STORAGE COMPARTMENTS OF THE APPLIANCE, UNLESS THEY ARE OF THE TYPE RECOMMENDED BY THE MANUFACTURER.
- WARNING:** BEFORE PROCEEDING WITH CLEANING AND MAINTENANCE OPERATIONS, MAKE SURE THE POWER LINE OF THE UNIT IS DISCONNECTED.
- WARNING:** DO NOT CONNECT OR DISCONNECT THE ELECTRIC PLUG WHEN YOUR HANDS ARE WET.
- WARNING:** DO NOT STORE OR USE GASOLINE OR ANY OTHER FLAMMABLE VAPORS AND LIQUIDS IN THE VICINITY OF THIS OR ANY OTHER SHOWCASE. NEVER CLEAN SHOWCASE PARTS WITH FLAMMABLE FLUIDS. THE FUMES CAN CREATE A FIRE HAZARD OR EXPLOSION.
- WARNING:** IF THE VOLTAGE IS UNSTABLE, PLEASE CHOOSE THE SUITABLE AUTOMATIC VOLTAGE REGULATOR.
- WARNING:** CONNECTION THE POWER TO CHECK THE SHOWCASE BEFORE USING, THE SHOWCASE CAN BE USED UNTIL THE TEMPERATURE DECREASES OBVIOUSLY AFTER 30 MINUTES.
- WARNING:** YOU SHOULD ADJUST THE TEMPERATURE CONTROL ACCORDING TO THE REQUESTED TEMPERATURE AND QUANTITY OF THE STORED FOOD AND THE ENVIRONMENTAL TEMPERATURE.
- WARNING:** BEFORE PUTTING THE STUFF INTO THE SHOWCASE PLEASE ADJUST THE TEMPERATURE CONTROL TO THE LOWEST POINT AND LET IT WORK TILL THE TEMPERATURE OF INNER CABINET DECREASES TO -18 AND THEN PUTTING THE STUFF IN, AFTER 12 HOURS ADJUST THE TEMPERATURE CONTROL TO THE NORMAL POINT.
- WARNING:** NEVER PUT HOT FOOD IN THE SHOWCASE DIRECTLY ONLY AFTER IT HAS BEEN COOLED NATURALLY OUTSIDE.
- WARNING:** THE STUFF SHOULD BE PUT INTO THE SHOWCASE PARTIALLY, EACH LOT WILL NOT BE MORE THAN THE FIGURE WHICH IS EQUAL TO THE CAPACITY(L) DIVIDE BY 20.
- WARNING:** NOT FULL THE SHOWCASE AND MAKE IT CROWDED, BIG MEAT SHOULD BE DIVIDED INTO SEVERAL SMALL PARTS. THERE SHOULD BE REASONABLE SPACE BETWEEN THE FOODS FOR BETTER FREEZING.
- WARNING:** IF POWER CUT OFF IS NEEDED, YOU SHOULD WAIT FOR AT LEAST 5 MINUTES BEFORE TURN ON AGAIN TO AVOID DAMAGE TO THE COMPRESSOR.
- WARNING:** THE STUFF STORED SHOULD BE PACKED WITH PLASTIC BAG WELL TO AVOID SMELL-MIXED AND MOISTURE-LOST, AND REDUCE THE FROST AT THE SMALL TIME
- WARNING:** BEER, BEVERAGE, FRESH FLOWER, MEDICINE AND INJECTIONS CAN NOT BE PUT INTO THE SHOWCASE.
- WARNING:** PLEASE MAKE THE TEMPERATURE CONTROL TO THE LOWEST POINT IF YOU WANT TO STORE ICE CREAM OR OTHER UNEASY-FROZEN FOOD.
- WARNING:** WE HAVE A POLICY OF CONTINUOUS IMPROVEMENT ON OUR PRODUCTS AND RESERVE THE RIGHT TO CHANGE MATERIALS AND SPECIFICATIONS WITHOUT NOTICE. TO CONFIRM THE SPECIFIC PARAMETERS, PLEASE ACCORD TO THE RATED LABEL ON THE PRODUCT.
- WARNING:** SHALL, WHEN THE PRODUCT SCRAP/RECOVERED BY PROFESSIONAL SCRAP/RECYCLING LOCATIONS TO DEAL WITH.
- WARNING:** THIS PRODUCT APPLICATION ENVIRONMENT TEMPERATURE UP TO 43°C .

## INSTALLATION

1. When you transport the showcase, the angle between the compartment body and the ground should be no more than 45° and you should never place the showcase up-side down.
2. Do not use any of the external part as loading points, for example, the condenser on the back, the door.
3. When the showcase is installed or used, all the package (including board and foam plastic) should be got rid of.
4. Keeping the showcase stable to avoid vibration and noise.

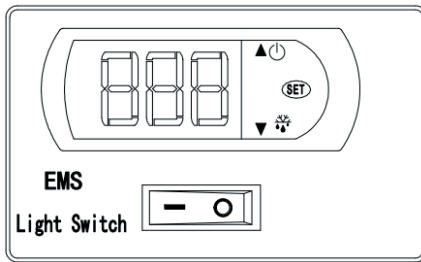
5. The showcase should be installed in the place with good ventilation, a space of at least 10cm should be allowed between the surrounding walls and the cabinet wall for air condition.
6. It should be placed far from heating resource and not under direct sunshine to avoid decrease of the efficiency of refrigeration.
7. Install the showcase in a dry place so as to prevent rust on the compartment body, which may affect the electric insulation.



## OPERATION

### CONTROL PANEL

#### Electronic Thermostat



KCICDC4FH

KCICDC6FH

KCICDC8FH

KCICDC10FH

1. The EMS is electronic controller.
2. The electronic controller has been already set in the factory.
3. If you need to adjust the electronic controller, please contact professional service personnel.

#### STORAGE

1. The appliance is suitable for storing ice cream and ready-frozen foods.
2. It must not be filled higher than the stacking mark on the inside of the showcase.
3. If there is no load line sticker, please take the top of placed basket as standard.



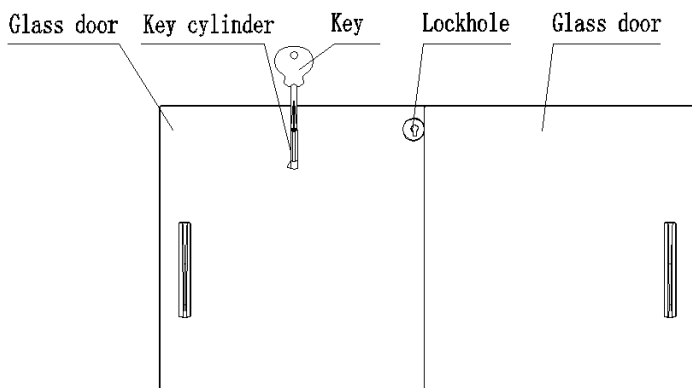
#### DEFROST

1. Defrost when the frost thickness on the wall of the cabinet reaches 5mm to optimize the freezing capacity.
2. Turn the temperature control to the lowest point for 5-6 hours before defrosting.
3. Cut off the power and take out the food, use the defrost removal, do not apply sharp tools.
4. After defrosting, clean the wall with dry cloth, and then power on.

#### THE FOLLOWING PHENOMENA ARE NORMAL

1. There will be sound of flowing water when the refrigerant is running.
2. The frozen food do not melt even if a long time power off.
3. When the environment humidity is too high, there will be dew condensed on the surface of the showcase.
4. When the machine is running, the condenser and compressor will be hot.

#### LOCK



1. You can lock the freezer: First step you put the key and key cylinder into lock hole; The second step you turn the key rotate 90° CW; Then you put out the key.
2. You can unlock the freezer: First step you turn the key rotate 90° CCW; The second step you put out the key and key cylinder from lock hole.

NOTES: The lock is one of the options your product may not have.

## MAINTENANCE

1. Do not open the door frequently or for too long to save energy.
2. Never leave heavy or hot stuff on the top of the showcase to avoid deforming.
3. Cut off the power before cleaning.
4. To clean the showcase, please use soft cloth dampened in some moderate detergent and hot water.
5. Use warm water to clean oil or fruit juice stain on the magnetic gasket in order to keep its elasticity. Apply some talcum powder to it to prolong its service life.
6. The showcase should not be left unused for a long time, to stop using the showcase, disconnect the main power first, then clean the inside and leave the door open for 2-3 days to dry it.

#### CORRECT DISPOSAL OF THIS PRODUCT



This marking indicates that this product should not be disposed with other household wastes. To prevent possible harm to the environment or human health from uncontrolled waste disposal, recycle it responsibly to promote the sustainable reuse of material resources. To return your used device, please use the return and collection systems or contact the retailer where the product was purchased. They can take this product for environmental safe recycling.

#### REPLACEMENT PARTS

To order parts, contact your Authorized Service Agent. Supply the model designation, serial number, part description, part number, quantity, and when applicable, voltage and phase.

#### CONTACT US

In order to obtain service the unit must first be registered at Kelvinator Commercial.com. Once registered please call 866-339-8515 for assistance.

## TROUBLESHOOTING

PROBLEM	CAUSE	SOLUTION
Unfreezing	Temperature control is on the highest temperature point (1 point)	Adjust temperature control
	Plug and outlet not connected well	Make both of them connect well
	Fuse broken off	Change the fuse
Compressor can not stop working	Temperature control is on the lowest temperature point (7 point)	Adjust temperature control
	Too much stuff stored in one time	Reduce the quantity
	Thick frost	Defrost
	Too many times of door-opening	Reduce the times of door-opening
	Too near the wall	Far from the wall
	Near the hot source or sun	Change the place
Too warm	Temperature control is on the highest temperature point (1 point)	Adjust temperature control
	Too much stuff stored in one time	Reduce the quantity
	Too many times of door-opening	Reduce the times of door-opening
	Near the hot source or sun	Change the place
Too cold	Temperature control is on the lowest temperature point (7 point)	Adjust temperature control
Big noise or violent vibration	Ground is not flat	Change the place
	Refrigerating tubes connected	Separate them
Water on the floor	The condensation water on the lids drops down from the drain pipe to the floor	Pour out the water from the water collector
Water condensation on the lids	The environment humidity is too high	Dry the lids with a soft cloth
Excessive ice formation in cabinet	Too many times of door-opening	Reduce the times of door-opening
	The doors are not closed	Close the doors
	The condensation water on the lids drop inside	Dredge the drainpipe with wire, defrost
The lighting does not work	Plug and outlet not connected well	Make both of them connect well
	The lighting switch is off	Turn on the lighting switch

NOTE: If you can not resolve the problems according to the above chart, please contact the after-sale service, do not handle it yourself.

## WARRANTY

Your appliance is covered by a **one (1) year limited warranty**. For one (1) years from your original date of purchase, Electrolux Professional, Inc. will pay all costs, except as set forth below, for repairing or replacing any parts of this appliance that prove to be defective in materials or workmanship when such appliance is installed, used, and maintained in accordance with the provided instructions. For appliances that are manufactured with a compressor, an additional four (4) year part warranty is provided for the compressor only.

### EXCLUSIONS

#### THIS WARRANTY DOES NOT COVER THE FOLLOWING:

1. Products where the original serial number has been removed, altered or cannot be readily determined.
2. Normal wear and tear and gradual deterioration.
3. Product that has been transferred from its original owner to another party or moved outside the USA or Canada.
4. Rust on the interior or exterior of the unit.
5. Products purchased "as-is".

6. Food loss due to any refrigerator or freezer failures.
7. Damage caused at any time during shipment.
8. Service calls which do not involve malfunction or defects in materials or workmanship, or for appliances used other than in accordance with the provided instructions.
9. Service calls to correct the installation of your appliance or to instruct you how to use your appliance.
10. Expenses for making the appliance accessible for servicing, such as removal of trim, cupboards, shelves, etc., which are not a part of the appliance when it is shipped from the factory.
11. Service calls to replace appliance light bulbs, air filters, water filters, and other consumables, or knobs, handles, and other cosmetic parts.
12. Surcharges including, but not limited to, any after hours, weekend, or holiday service calls, tolls, ferry trip charges, or mileage expense for service calls to remote areas, including the state of Alaska.
13. Damages to the finish of the appliance and/or the appliance location that are incurred during installation, including but not limited to floors, cabinets, walls, etc.
14. Damages caused by: services performed by unauthorized service companies; use of parts other than genuine Electrolux Professional, Inc. parts or parts obtained from persons other than authorized service companies; or external causes such as abuse, misuse, inadequate power supply, accidents, fires, or acts of God.
15. For appliances operated by a concessionaire or vendor in a trailer or other motorized vehicle, or at varying locations, your appliance is covered by a one (1) year, limited parts and labor warranty. For appliances that are manufactured with a compressor, an additional four (4) year part warranty is provided for the compressor only.

### DISCLAIMER OF IMPLIED WARRANTIES; LIMITATION OF REMEDIES

CUSTOMER'S SOLE AND EXCLUSIVE REMEDY UNDER THIS LIMITED WARRANTY SHALL BE PRODUCT REPAIR OR REPLACEMENT AS PROVIDED HEREIN. CLAIMS BASED ON IMPLIED WARRANTIES, INCLUDING WARRANTIES OF MERCHANTABILITY OR FITNESS FOR A PARTICULAR PURPOSE, ARE LIMITED TO ONE (1) YEAR OR THE SHORTEST PERIOD ALLOWED BY LAW, BUT NOT LESS THAN ONE (1) YEAR. ELECTROLUX PROFESSIONAL, INC. SHALL NOT BE LIABLE FOR CONSEQUENTIAL OR INCIDENTAL DAMAGES SUCH AS PROPERTY DAMAGE AND INCIDENTAL EXPENSES RESULTING FROM ANY BREACH OF THIS WRITTEN LIMITED WARRANTY OR ANY IMPLIED WARRANTY. SOME STATES AND PROVINCES DO NOT ALLOW THE EXCLUSION OR LIMITATION OF INCIDENTAL OR CONSEQUENTIAL DAMAGES, OR LIMITATIONS ON THE DURATION OF IMPLIED WARRANTIES, SO THESE LIMITATIONS OR EXCLUSIONS MAY NOT APPLY TO YOU. THIS WRITTEN WARRANTY GIVES YOU SPECIFIC LEGAL RIGHTS. YOU MAY ALSO HAVE OTHER RIGHTS THAT VARY FROM STATE TO STATE.

### If You Need Service

In order to obtain service the unit must first be registered at KelvinatorCommercial.com. Once registered please call 866-339-8515 for assistance.

This warranty only applies in the USA and Canada and is warranted by **Electrolux Professional, Inc.** For installations outside the US and Canada, please contact your local equipment provider for warranty specifics.

Electrolux Professional, Inc. authorizes no person to change or add to any obligations under this warranty. Obligations for service and parts under this warranty must be performed by Electrolux Professional, Inc. or an authorized service company. Product features or specifications as described or illustrated are subject to change without notice.

(November 2023)

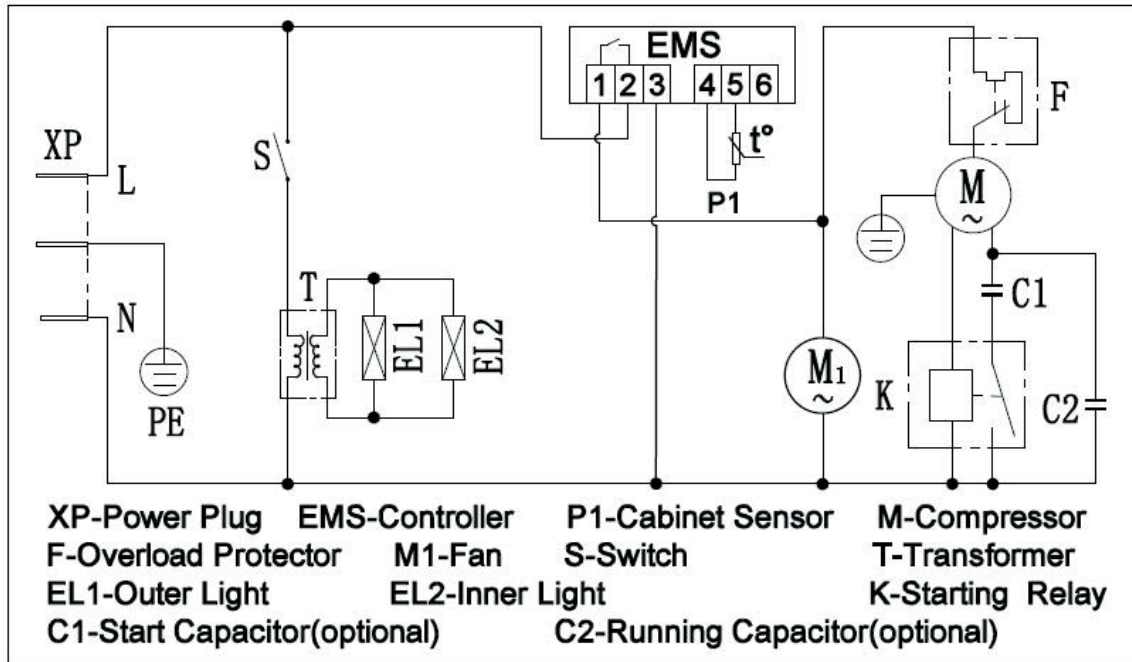
866-339-8515

Electrolux Professional, Inc.

KCICDC4FH

CALL FACTORY FOR REPLACEMENT PARTS:  
866-339-8515

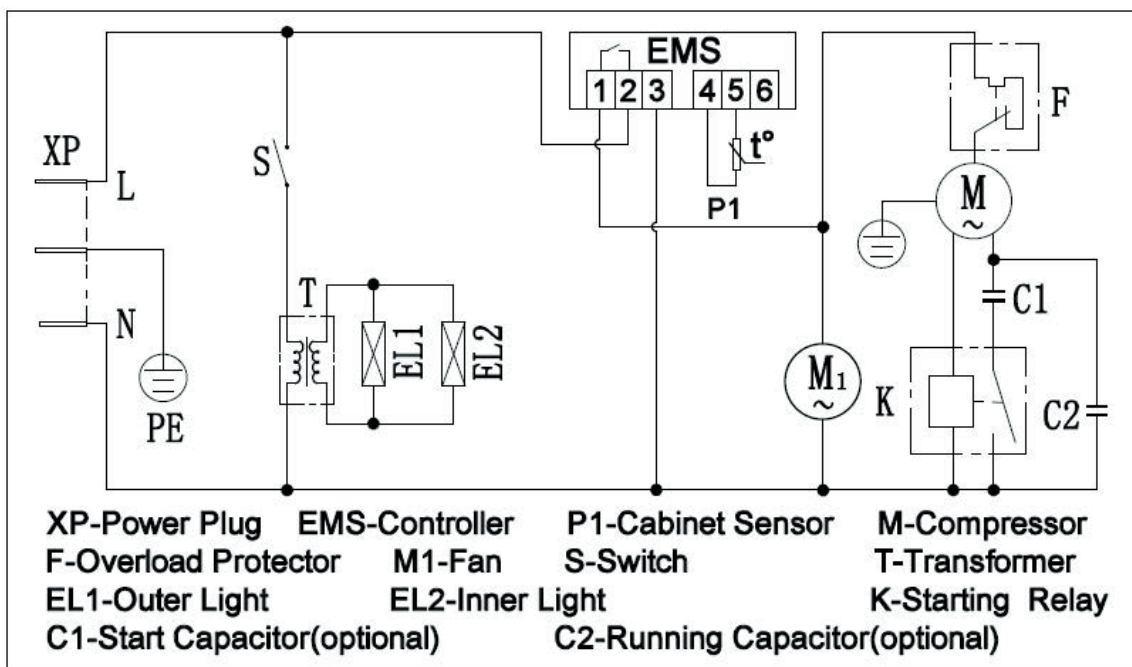
# Wiring Diagram



KCICDC6FH

CALL FACTORY FOR REPLACEMENT PARTS:  
866-339-8515

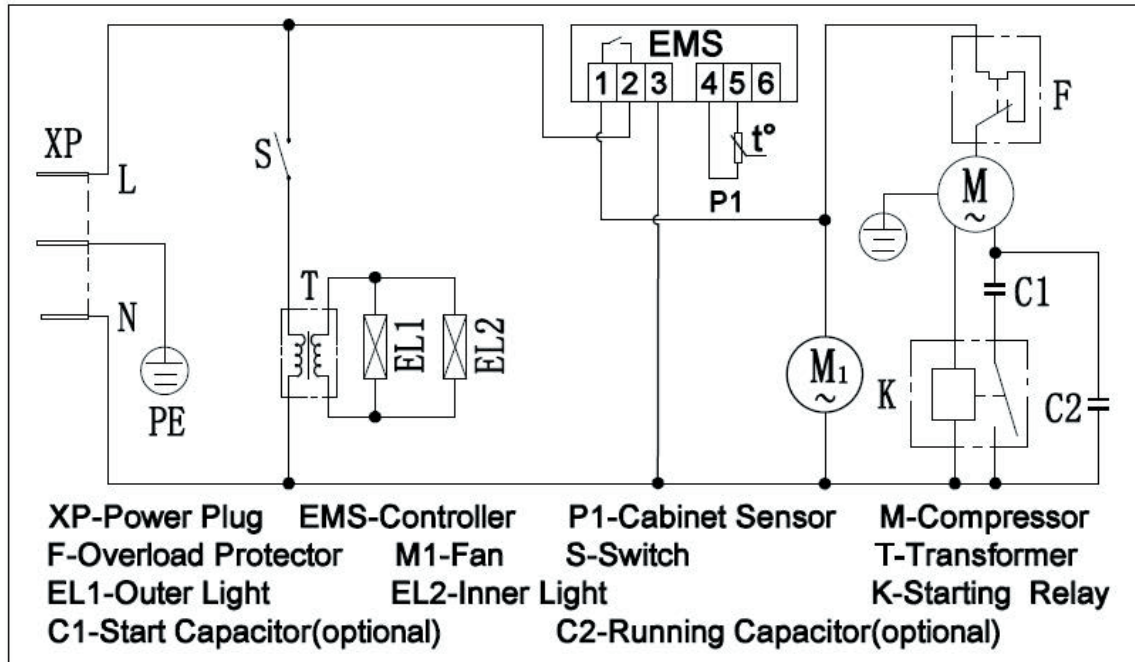
# Wiring Diagram



KCICDC8FH

CALL FACTORY FOR REPLACEMENT PARTS:  
866-339-8515

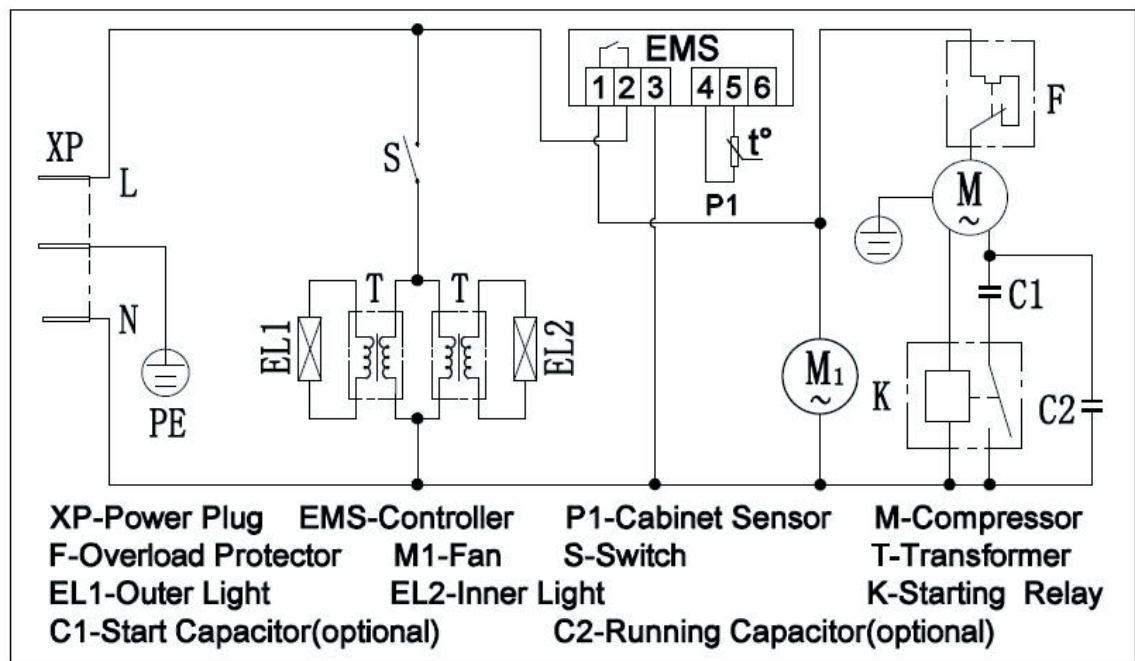
# Wiring Diagram



KCICDC10FH

CALL FACTORY FOR REPLACEMENT PARTS:  
866-339-8515

# Wiring Diagram







# COMMERCIAL

## MANUAL DEL USUARIO

INFORMACIÓN IMPORTANTE,  
CONSERVÉSE PARA EL USUARIO

Estados Unidos y Canadá, 866-339-8515  
4003 Collins Lane, Louisville, KY 40245  
www.professional.electroluxusa.com

**ESTE MANUAL DEBE CONSERVARSE PARA CONSULTAS FUTURAS. ASEGÚRESE DE LEER, COMPRENDER Y CUMPLIR LAS INSTRUCCIONES Y ADVERTENCIAS QUE CONTIENE ESTE MANUAL.**

**PARA SU SEGURIDAD** No guarde ni utilice gasolina ni otros líquidos o vapores inflamables cerca de este equipo ni de ningún otro.

**NOTIFIQUE LOS DAÑOS AL TRANSPORTISTA DE MANERA INMEDIATA**  
Es responsabilidad del destinatario inspeccionar el contenedor al recibirlo y determinar la posibilidad de cualquier daño, incluidos los daños ocultos. Electrolux Professional recomienda que, si sospecha que se han producido daños, anote un comentario en el recibo del material. Será responsabilidad del destinatario presentar una reclamación al transportista. Es conveniente que lo haga de inmediato.

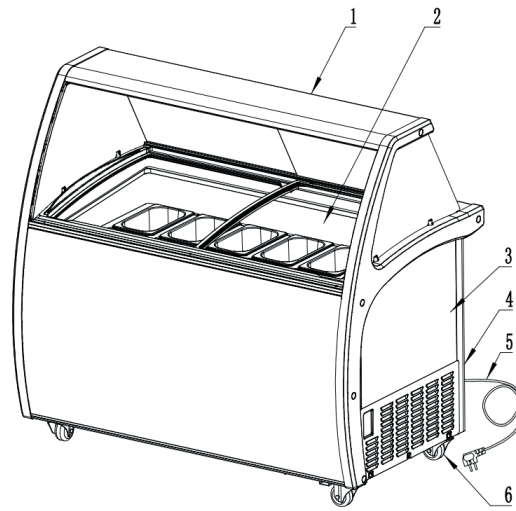
**Servicio de fabricación/consultas 866-339-8515.**

### DESCRIPCIÓN DEL EQUIPO

N.º DE MODELO	VOLUMEN EFECTIVO (FT <sup>3</sup> /M <sup>3</sup> )	TDA (FT <sup>2</sup> ) (ATE [M <sup>2</sup> ])	PESO NETO (LB/KG)	MEDIDAS TOTALES (IN/CM)
KCICDC4FH	6,0/17	3,7/0,34	181/82	32-7/8" x 33" x 50"/ 83,5x83x127
KCICDC6FH	8,48/0,24	5,06/0,47	240/109	42-1/2" x 33" x 50"/ 108x84x127
KCICDC8FH	10,92/0,31	6,98/0,65	271/123	53-1/8" x 33" x 50"/ 135x84x127
KCICDC10FH	13,91/0,40	8,89/0,82	335/152	67-3/4" x 33" x 50"/ 172x84x127

Este manual contiene información sobre:

### HELADERA TIPO MOSTRADOR



1. Cubierta
2. Tapa de vidrio
3. Heladera
4. Panel de control
5. Cable de alimentación
6. Rueda giratoria

### CONSERVE ESTE MANUAL PARA CONSULTAS FUTURAS

**AVISO:** Debido a un programa continuo de mejora del producto, Electrolux Professional se reserva el derecho de realizar cambios en el diseño y las especificaciones sin previo aviso.

**AVISO:** Lea detenidamente todo el manual antes de la instalación. Si no se siguen ciertos procedimientos recomendados, se rechazarán las reclamaciones de garantía.

### RECEPCIÓN E INSPECCIÓN DEL EQUIPO

Si bien la mayoría de los equipos se envían embalados, se debe tener cuidado durante la descarga para no dañar el equipo al desplazarlo hasta el lugar de instalación.

1. Inspeccione visualmente el exterior del paquete y la plataforma o contenedor. Si se observan daños se deben registrar y comunicar de inmediato al transportista.
2. En caso de daños, abra e inspeccione el contenido con el transportista.
3. Si el exterior no está dañado, pero tras la apertura se observan daños ocultos en el equipo, notifique al transportista. La notificación se debe realizar de manera verbal y por escrito.
4. Solicite que la empresa de transporte inspeccione el equipo dañado. Esto debe hacerse en el plazo de 10 días desde la recepción del equipo.
5. Cerciérese de revisar el alojamiento del compresor y de inspeccionar visualmente el conjunto refrigerante. Compruebe si las líneas están seguras y si la base sigue intacta.
6. Los transportistas pueden suministrar los formularios de notificación de daños si se solicitan.
7. Conserve todo el material de embalaje hasta que se haya realizado o descartado la inspección.



## IMPORTANTE - LÉASE PRIMERO - IMPORTANTE

SU SEGURIDAD Y LA DE LOS DEMÁS SON MUY IMPORTANTES.

EN ESTE MANUAL Y EN EL EQUIPO ENCONTRARÁ NUMEROSOS MENSAJES DE SEGURIDAD IMPORTANTES. LEA Y CUMPLA SIEMPRE TODOS LOS MENSAJES DE SEGURIDAD.



ESTOS SON LOS SÍMBOLOS DE ALERTA DE SEGURIDAD. ESTOS SÍMBOLOS ALERTAN DE PELIGROS POTENCIALES QUE PUEDEN PROVOCAR HERIDAS O MUERTE AL USUARIO O A OTRAS PERSONAS. TODOS LOS MENSAJES DE SEGURIDAD IRÁN SEGUIDOS DE LOS SÍMBOLOS DE ALERTA DE SEGURIDAD Y DE LAS PALABRAS "PELIGRO", "ADVERTENCIA" O "PRECAUCIÓN".



PELIGRO SIGNIFICA QUE EL INCUMPLIMIENTO DE ESTA INDICACIÓN DE SEGURIDAD PUEDE PROVOCAR LESIONES GRAVES O MUERTE.



ADVERTENCIA SIGNIFICA QUE SI NO SE TIENE EN CUENTA ESTA INSTRUCCIÓN DE SEGURIDAD SE PUEDEN PRODUCIR DAÑOS IMPORTANTES EN EL PRODUCTO, LESIONES PERSONALES GRAVES O MUERTE.

PRECAUCIÓN SIGNIFICA QUE EL INCUMPLIMIENTO DE ESTA INDICACIÓN DE SEGURIDAD PUEDE PROVOCAR LESIONES PERSONALES LEVES O MODERADAS, O DAÑOS MATERIALES O EN EL EQUIPO.

TODOS LOS MENSAJES DE SEGURIDAD ALERTAN SOBRE CUÁL ES EL PELIGRO POTENCIAL, INDICAN CÓMO REDUCIR EL RIESGO DE LESIONES E INFORMAN DE LO QUE PUEDE OCURRIR SI NO SE SIGUEN LAS INSTRUCCIONES.

ANTES DE UTILIZAR LA VITRINA DE LA HELADERA, DEBE COLOCARSE E INSTALARSE CORRECTAMENTE COMO SE DESCRIBE EN ESTE MANUAL, POR LO QUE DEBE LEERLO ATENTAMENTE. PARA REDUCIR EL RIESGO DE INCENDIO, DESCARGA ELÉCTRICA O LESIONES AL UTILIZAR LA VITRINA, SIGA UNAS PRECAUCIONES BÁSICAS, ENTRE LAS QUE SE INCLUYEN LAS SIGUIENTES:

**PELIGRO:** ESTE EQUIPO NO ESTÁ DISEÑADO PARA QUE LO USEN PERSONAS (INCLUIDOS NIÑOS) CON DISCAPACIDAD FÍSICA, SENSORIAL O MENTAL, O CON EXPERIENCIA Y CONOCIMIENTO INSUFICIENTES, A MENOS QUE UNA PERSONA RESPONSABLE DE SU SEGURIDAD LAS SUPERVISE O INSTRUYA EN EL USO DEL EQUIPO

**PELIGRO:** SE DEBE VIGILAR A LOS NIÑOS PARA IMPEDIR QUE JUEGUEN CON EL EQUIPO.

**PELIGRO:** RIESGO DE QUE NIÑOS QUEDEN ATRAPADOS: LA POSIBILIDAD DE QUE UN NIÑO QUEDE ATRAPADO Y SE ASFIXIE SIGUE SIENDO UN RIESGO IMPORTANTE. LAS VITRINAS APILADAS O ABANDONADAS SIGUEN SIENDO PELIGROSAS, AUNQUE SE "DEJEN EN EL GARAJE SOLO POR UNOS DÍAS".

**PELIGRO:** ANTES DE DESECHAR LA VITRINA ANTIGUA: RETIRE LAS PUERTAS. DEJE LOS ESTANTES EN SU SITIO PARA QUE LOS NIÑOS NO PUEDAN INTRODUCIRSE CON FACILIDAD.

**PELIGRO:** DE ACUERDO CON LA NORMATIVA LOCAL, ELIMINE EL REFRIGERANTE INFLAMABLE Y EL GAS DE EXPANSIÓN DEL EQUIPO.

**PELIGRO:** LA VITRINA DEBE UTILIZAR LA SALIDA DE CLAVIJA SEPARADA PARA CONECTARSE CON TIERRA CORRECTAMENTE, NUNCA CON LA TUBERÍA DE CALEFACCIÓN NI LA TUBERÍA DE GAS DE CARBÓN.

**PELIGRO:** LA VITRINA DEBE COLOCARSE DE MANERA QUE EL ENCHUFE QUEDE FÁCILMENTE ACCESIBLE.

**PELIGRO:** SI EL CABLE ELÉCTRICO SUFRE ALGÚN DAÑO, EL FABRICANTE, SU SERVICIO TÉCNICO O UN PROFESIONAL TENDRÁN QUE CAMBIARLO PARA EVITAR RIESGOS.

**PELIGRO:** NO INTENTE REPARAR O SUSTITUIR NINGUNA PIEZA DE LA VITRINA A MENOS QUE SE RECOMIENDE ESPECÍFICAMENTE EN ESTE MATERIAL. PARA CUALQUIER OTRO TIPO DE MANTENIMIENTO, DIRÍJASE A UN TÉCNICO PROFESIONAL.

**ADVERTENCIA:** LA VITRINA NO DEBE COLOCARSE CERCA DE HORNOS, PARRILLAS U OTRAS FUENTES DE CALOR INTENSO.

**ADVERTENCIA:** MANTENGA LIBRES DE OBSTRUCCIONES LAS ABERTURAS DE VENTILACIÓN DEL ALOJAMIENTO DEL EQUIPO O DE LA ESTRUCTURA EMPOTRADA.

**ADVERTENCIA:** NO UTILICE DISPOSITIVOS MECÁNICOS NI OTROS MEDIOS PARA ACELERAR EL PROCESO DE DESCONGELACIÓN, EXCEPTO LOS RECOMENDADOS POR EL FABRICANTE.

**ADVERTENCIA:** NO DAÑE EL CIRCUITO REFRIGERANTE.

**ADVERTENCIA:** NO UTILICE DISPOSITIVOS ELÉCTRICOS DENTRO DE LOS COMPARTIMIENTOS PARA ALIMENTOS DEL EQUIPO, SALVO SI SON DEL TIPO RECOMENDADO POR EL FABRICANTE.

**ADVERTENCIA:** ANTES DE PROCEDER A OPERACIONES DE LIMPIEZA Y MANTENIMIENTO, ASEGÚRESE DE QUE LA LÍNEA DE ALIMENTACIÓN ELÉCTRICA DE LA UNIDAD ESTÉ DESCONECTADA.

**ADVERTENCIA:** NO CONECTE NI DESCONECTE EL ENCHUFE ELÉCTRICO CON LAS MANOS MOJADAS.

**ADVERTENCIA:** NO GUARDE NI UTILICE GASOLINA U OTROS VAPORES O LÍQUIDOS INFLAMABLES EN LAS PROXIMIDADES DE LA VITRINA O DE CUALQUIER OTRO APARATO. NO LIMPIE NUNCA LOS COMPONENTES DE LA VITRINA CON LÍQUIDO INFLAMABLE. LAS EMANACIONES PUEDEN ORIGINAR RIESGO DE FUEGO O EXPLOSIÓN.

**ADVERTENCIA:** SI EL VOLTAJE ES INESTABLE, ELIJA UN REGULADOR DE VOLTAJE AUTOMÁTICO ADECUADO.

**ADVERTENCIA:** CONECTE LA ALIMENTACIÓN PARA COMPROBAR LA VITRINA ANTES DE USARLA, ESTA SE PUEDE UTILIZAR HASTA QUE LA TEMPERATURA DISMINUYA DE MANERA EVIDENTE DESPUÉS DE 30 MINUTOS.

**ADVERTENCIA:** DEBE AJUSTAR EL CONTROL DE TEMPERATURA EN FUNCIÓN DE LA TEMPERATURA QUE DESEE Y LA CANTIDAD DE ALIMENTOS ALMACENADOS, ASÍ COMO DE LA TEMPERATURA AMBIENTE.

**ADVERTENCIA:** ANTES DE PONER ALIMENTOS EN LA VITRINA, AJUSTE EL CONTROL DE TEMPERATURA AL PUNTO MÁS BAJO Y DÉJELO FUNCIONAR HASTA QUE LA TEMPERATURA DEL GABINETE INTERIOR DISMINUYA A -18 . INTRODUZCA LOS ALIMENTOS Y DESPUÉS DE 12 HORAS AJUSTE EL CONTROL DE TEMPERATURA AL PUNTO NORMAL.

**ADVERTENCIA:** NO INTRODUZCA NUNCA ALIMENTOS CALIENTES DIRECTAMENTE EN LA VITRINA, HÁGALO DESPUÉS DE QUE SE HAYAN ENFRIADO DE FORMA NATURAL EN EL EXTERIOR.

**ADVERTENCIA:** LOS ALIMENTOS SE DEBEN PONER EN LA VITRINA POCO A POCO, CADA LOTE NO SERÁ SUPERIOR A LA CAPACIDAD (L) DIVIDIDA ENTRE 20.

**ADVERTENCIA:** PARA NO LLENAR LA VITRINA Y ABARROTARLA, LAS PIEZAS DE CARNE GRANDES DEBEN DIVIDIRSE EN VARIOS TROZOS PEQUEÑOS. DEBE HABER UN ESPACIO RAZONABLE ENTRE LOS ALIMENTOS PARA QUE SE CONGELEN MEJOR.

**ADVERTENCIA:** SI ES NECESARIO CORTAR EL SUMINISTRO ELÉCTRICO, DEBE ESPERAR AL MENOS 5 MINUTOS ANTES DE VOLVER A ENCENDER EL EQUIPO PARA EVITAR DAÑOS EN EL COMPRESOR.

**ADVERTENCIA:** EL MATERIAL ALMACENADO DEBE EMPAQUETARSE CON UNA BOLSA DE PLÁSTICO PARA EVITAR QUE SE MEZCLEN LOS OLORES Y SE PIERDA LA HUMEDAD, Y PARA REDUCIR LA ESCARCHA A CORTO PLAZO.

**ADVERTENCIA:** EN LA VITRINA NO SE PUEDE INTRODUCIR CERVEZA, BEBIDAS, FLORES FRESCAS, MEDICAMENTOS NI INYECCIONES.

**ADVERTENCIA:** SI DESEA ALMACENAR HELADOS U OTROS ALIMENTOS QUE NO SE PUEDAN CONGELAR, REGULE LA TEMPERATURA AL MÍNIMO.

**ADVERTENCIA:** TENEMOS UNA POLÍTICA DE MEJORA CONTINUA DE NUESTROS PRODUCTOS Y NOS RESERVAMOS EL DERECHO A MODIFICAR LOS MATERIALES Y LAS ESPECIFICACIONES SIN PREVIO AVISO. PARA CONFIRMAR LOS PARÁMETROS ESPECÍFICOS, CONSULTE LA ETIQUETA DEL PRODUCTO.

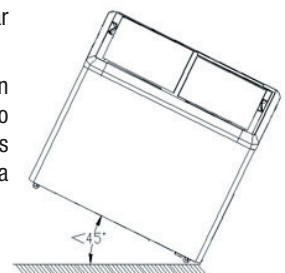
**ADVERTENCIA:** LOS RESIDUOS O EL MATERIAL RECUPERADO DEL PRODUCTO DEBERÁ ENVIARSE A PUNTOS DE RECICLADO PROFESIONALES.

**ADVERTENCIA:** TEMPERATURA AMBIENTE DE APLICACIÓN DE ESTE PRODUCTO HASTA 43°C.

## INSTALACIÓN

1. Cuando transporte la vitrina, el ángulo entre la unidad y el piso no debe ser superior a 45° y nunca debe colocar la vitrina boca abajo.
2. No utilice ninguna de las partes externas como puntos de sujeción para carga, por ejemplo, el condensador de la parte trasera o la puerta.
3. Una vez instalada o utilizada la vitrina, hay que eliminar todo el embalaje (incluido el cartón y la espuma de plástico).

4. Mantenga la vitrina estable para evitar vibraciones y ruidos.
5. La vitrina debe instalarse en un lugar con buena ventilación; debe dejarse un espacio de al menos 10 cm entre las paredes circundantes y la pared de la vitrina para que se ventile.

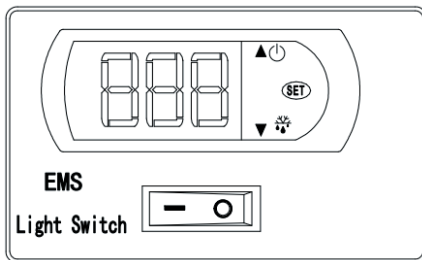


- Debe colocarse lejos de fuentes de calor y no bajo la luz directa del sol para evitar que disminuya la eficacia de la refrigeración.
- Instale la vitrina en un lugar seco para evitar la oxidación del cuerpo del compartimiento, lo cual podría afectar al aislamiento eléctrico.

## FUNCIONAMIENTO

### PANEL DE CONTROL

#### Termostato electrónico



KCICDC4FH

KCICDC6FH

KCICDC8FH

KCICDC10FH

- El EMS es un controlador electrónico.
- El controlador electrónico se ha ajustado en la fábrica.
- Si necesita ajustar el controlador electrónico, póngase en contacto con personal de servicio profesional.

### ALMACENAMIENTO

- El equipo es adecuado para almacenar helados y alimentos precongelados.
- No debe llenarse por encima de la marca de apilamiento situada en el interior de la vitrina.
- Si no hay adhesivo de línea de carga, tome como referencia la parte superior de la cesta colocada.

# LÍNEA DE CARGA

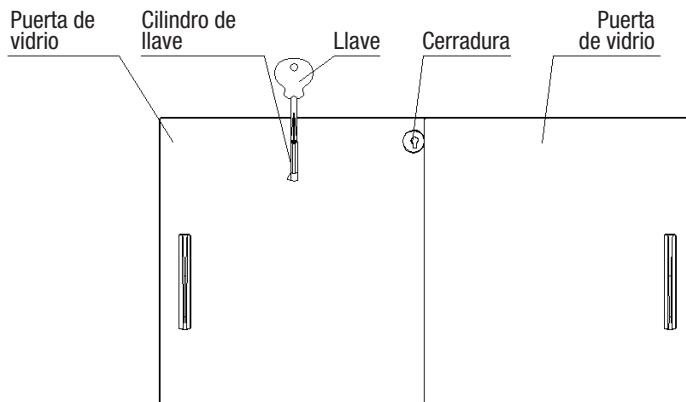
### DESCONGELACIÓN

- Descongele cuando el espesor de la escarcha en la pared del armario alcance 5 mm para optimizar la capacidad de congelación.
- Gire el control de temperatura al punto más bajo durante 5-6 horas antes de descongelar.
- Corte la corriente y saque los alimentos, utilice la eliminación de escarcha, no emplee herramientas afiladas.
- Después de la descongelación, limpie la pared con un paño seco y encienda el equipo.

### LOS FENÓMENOS SIGUIENTES SON NORMALES

- Habrán sonidos de agua en movimiento cuando el refrigerante esté funcionando.
- Los alimentos congelados no se derriten después de un largo periodo de desconexión.
- Cuando la humedad ambiental es demasiado alta, se condensa rocío en la superficie de la vitrina.
- Cuando la máquina está en funcionamiento, el condensador y el compresor se calientan.

### BLOQUEO



- Es posible bloquear el congelador: El primer paso es introducir la llave y el cilindro de la llave en el orificio de la cerradura. El segundo paso es girar la llave 90° en el sentido de las agujas del reloj.
- Es posible desbloquear el congelador: El primer paso es girar la llave 90° en el sentido contrario a las agujas del reloj. El segundo paso es sacar la llave y el cilindro de la cerradura.

NOTAS: La cerradura es una de las opciones que tal vez no tenga su producto.

### MANTENIMIENTO

- No abra la puerta con frecuencia ni durante demasiado tiempo para ahorrar energía.
- No deje nunca objetos pesados o calientes encima de la vitrina para evitar que se deforme.
- Corte el suministro eléctrico antes de iniciar la limpieza.
- Para limpiar la vitrina, utilice un paño suave humedecido en un poco de detergente moderado y agua caliente.
- Utilice agua templada para eliminar las manchas de aceite o jugo de fruta de la junta magnética y mantener su elasticidad. Aplique polvos de talco para prolongar su vida útil.
- La vitrina no se debe dejar sin uso durante mucho tiempo, para dejar de usarla, desconecte primero la alimentación eléctrica principal, luego limpie el interior y deje la puerta abierta durante 2 o 3 días para que se seque.



### ELIMINACIÓN CORRECTA DE ESTE PRODUCTO

Esta marca indica que el producto no debe eliminarse junto con otros residuos domésticos. Para evitar el deterioro del medio ambiente o riesgos para la salud humana por la eliminación incorrecta de residuos, recíclelo de manera responsable para fomentar la reutilización sostenible de los recursos materiales. Para devolver el aparato usado, utilice los sistemas de devolución y recogida o póngase en contacto con el distribuidor al que se adquirió. Él se encargará del reciclaje del producto de conformidad con

las normas medioambientales.

### REPUESTOS

Para solicitar piezas, póngase en contacto con un agente de servicio autorizado. Indique la designación del modelo, el número de serie, la descripción de la pieza, el número de pieza, la cantidad y, si procede, el voltaje y la fase.

### CONTÁCTENOS

Para obtener servicio, la unidad debe registrarse primero en Kelvinator Commercial.com. Una vez registrada, llame al 866-339-8515 para solicitar asistencia.

## SOLUCIÓN DE PROBLEMAS

PROBLEMA	CAUSA	SOLUCIÓN
Descongelación	El control de temperatura está en el punto de temperatura más alto (punto 1).	Ajuste el control de temperatura.
	El enchufe y la toma no están bien conectados.	Conéctelos bien.
	Fusible roto.	Cambie el fusible.
El compresor no deja de funcionar.	El control de temperatura está en el punto de temperatura más bajo (punto 7).	Ajuste el control de temperatura.
	Demasiadas cosas almacenadas a la vez.	Reduzca la cantidad.
	Escarcha densa.	Descongele.
	Demasiadas aperturas de puerta.	Reduzca las veces que abre la puerta.
	Demasiado cerca de la pared.	Aleje de la pared.
Demasiado cálido.	Cerca de una fuente de calor o del sol.	Cambie la posición.
	El control de temperatura está en el punto de temperatura más alto (punto 1).	Ajuste el control de temperatura.
	Demasiadas cosas almacenadas a la vez.	Reduzca la cantidad.
	Demasiadas aperturas de puerta.	Reduzca las veces que abre la puerta.
Demasiado frío.	Cerca de una fuente de calor o del sol.	Cambie la posición.
	El control de temperatura está en el punto de temperatura más bajo (punto 7).	Ajuste el control de temperatura.
Ruido fuerte o vibración violenta.	El terreno no es plano.	Cambie la posición.
	Tubos refrigerantes conectados.	Sepárelos.
Agua en el piso.	El agua de condensación de las tapas cae por el tubo de desagüe hasta el piso.	Vierta el agua del colector.
Condensación de agua en las tapas.	La humedad ambiental es excesiva.	Seque las tapas con un paño suave.
Formación excesiva de hielo en el mueble.	Demasiadas aperturas de puerta.	Reduzca las veces que abre la puerta.
	Las puertas no están cerradas.	Cierre las puertas.
	El agua de condensación de las tapas cae al interior.	Desatasque el tubo de desagüe con un alambre, descongele.
La luz no funciona.	El enchufe y la toma no están bien conectados.	Conéctelos bien.
	El interruptor de la iluminación está apagado.	Encienda el interruptor de iluminación.

NOTA: Si no puede resolver los problemas de acuerdo con la tabla anterior, no lo intente por su cuenta, póngase en contacto con el servicio postventa.

## GARANTÍA

El equipo cuenta con **garantía limitada de un (1) años**. Desde la fecha original de compra y durante un periodo de tres (3) años, Electrolux Professional, Inc. correrá con todos los gastos, excepto los indicados más abajo, de reparación o sustitución de las piezas de este equipo que muestren desperfectos de materiales o mano de obra en el momento de la instalación, uso o mantenimiento, de acuerdo con las instrucciones suministradas. Los equipos fabricados con compresor tienen una garantía adicional de cuatro (4) años que solo se aplica al compresor.

### EXCLUSIONES

#### ESTA GARANTÍA NO CUBRE LO SIGUIENTE:

1. Productos en los que el número de serie original se ha eliminado, alterado o no pueda observarse con facilidad.
2. Desgaste normal y deterioro gradual.
3. Producto que ha sido transferido de su propietario original a otra parte o trasladado fuera de EE.UU. o Canadá.

4. Óxido en el interior o el exterior de la unidad.
5. Productos adquiridos "tal cual".
6. Pérdidas de alimentos debidas a desperfectos de nevera o congelador.
7. Daños sufridos en cualquier momento del transporte.
8. Llamadas al servicio técnico que no se refieran a desperfectos o defectos de material o elaboración, o respecto a equipos utilizados de un modo distinto al indicado en las instrucciones suministradas.
9. Llamadas al servicio técnico para corregir la instalación del equipo o para solicitar instrucciones de uso.
10. Gastos para hacer accesible el equipo para su mantenimiento, como la retirada de molduras, armarios, estantes, etc., que no formen parte del equipo cuando se envía de fábrica.
11. Llamadas al servicio técnico para sustituir lámparas, filtros de aire, filtros de agua y otros consumibles, o perillas, asas u otras piezas ornamentales.
12. Recargos derivados, entre otras cosas, de trabajo en horas extra, fin de semana o festivos, peajes, trasbordos o kilometraje por llamadas al servicio técnico desde zonas alejadas, incluido el Estado de Alaska.
13. Daños ocasionados al acabado del equipo o a su ubicación producidos durante la instalación, entre otros, a pisos, armarios, paredes, etc.
14. Daños provocados por: servicios realizados por empresas de servicios no autorizadas; uso de repuestos que no sean originales de Electrolux Professional, Inc. o repuestos obtenidos de personas que no sean empresas de servicios autorizadas; o causas externas como uso incorrecto o indebido, alimentación eléctrica inadecuada, accidentes, incendios o desastres naturales.
15. Los equipos utilizados por concesionarios o distribuidores en un remolque u otro vehículo motorizado, o en distintas ubicaciones, tienen garantía de un (1) año con limitación de piezas y mano de obra. Los equipos fabricados con compresor tienen una garantía adicional de cuatro (4) años que solo se aplica al compresor.

### EXCLUSIÓN DE GARANTÍAS IMPLÍCITAS; LIMITACIÓN DE RECURSOS

EL ÚNICO Y EXCLUSIVO RECURSO DEL CLIENTE SEGÚN LOS TÉRMINOS DE ESTA GARANTÍA LIMITADA SERÁ LA REPARACIÓN O SUSTITUCIÓN DEL PRODUCTO SEGÚN SE ESTIPULA EN EL PRESENTE DOCUMENTO. LAS RECLAMACIONES BASADAS EN GARANTÍAS IMPLÍCITAS, INCLUIDAS LAS GARANTÍAS DE COMERCIABILIDAD O DE IDONEIDAD PARA UN FIN DETERMINADO, ESTÁN LIMITADAS A UN (1) AÑO O AL PERÍODO MÁS CORTO PERMITIDO POR LEY, AUNQUE NO INFERIOR A UN (1) AÑO. ELECTROLUX PROFESSIONAL, INC. NO SERÁ RESPONSABLE DE DAÑOS CONSECUENTES O FORTUITOS COMO DAÑOS A LA PROPIEDAD Y GASTOS OCASIONALES DERIVADOS DE CUALQUIER INCUMPLIMIENTO DE ESTA GARANTÍA LIMITADA ESCRITA O DE CUALQUIER GARANTÍA IMPLÍCITA. ALGUNOS ESTADOS Y PROVINCIAS NO PERMITEN LA EXCLUSIÓN O LIMITACIÓN DE DAÑOS ACCIDENTALES O DERIVADOS NI LIMITACIONES ACERCA DE LA DURACIÓN DE LA GARANTÍA IMPLÍCITA, DE MODO QUE ES POSIBLE QUE LAS LIMITACIONES O EXCLUSIONES ARRIBA MENCIONADAS NO SE APLIQUEN A SU CASO. ESTA GARANTÍA ESCRITA LE OTORGA DERECHOS LEGALES ESPECÍFICOS. ES POSIBLE QUE TAMBIÉN DISFRUTE DE OTROS DERECHOS QUE VARIEN DE UNA JURISDICCIÓN A OTRA.

### Si necesita servicio

Para obtener servicio, la unidad debe registrarse primero en KelvinatorCommercial.com. Una vez registrada, llame al 866-339-8515 para solicitar asistencia.

Esta garantía sólo se aplica en EE.UU. y Canadá y está garantizada por **Electrolux Professional, Inc.** Para instalaciones fuera de EE. UU. y Canadá, comuníquese con su proveedor de equipos local para conocer los detalles de la garantía.

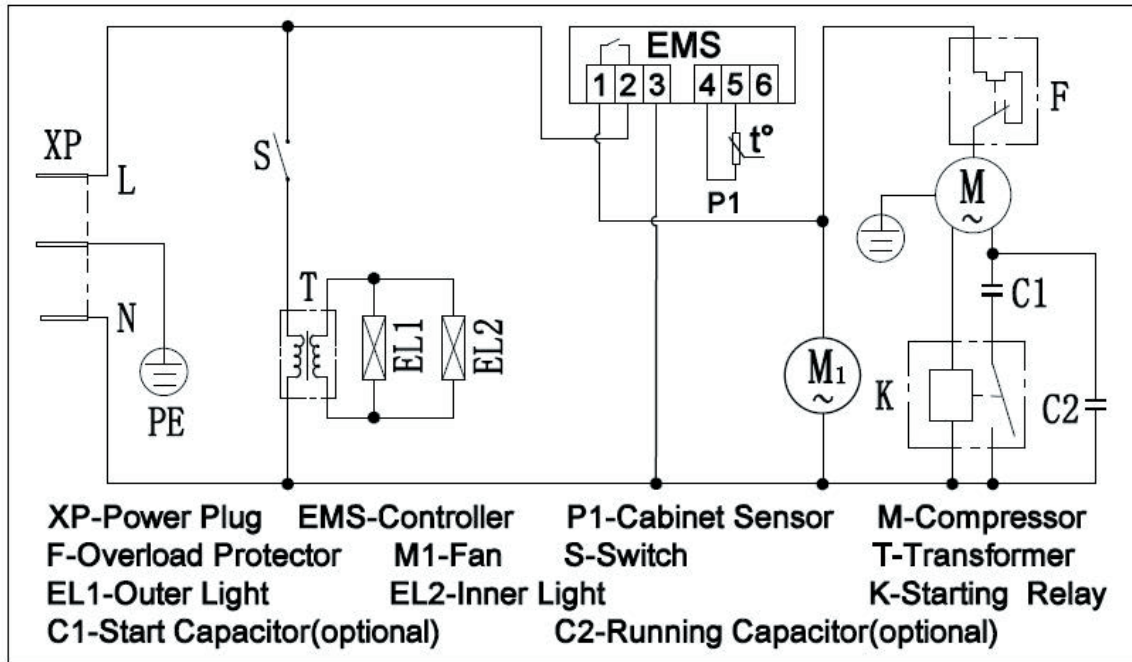
Electrolux Professional, Inc. no autoriza a persona alguna a cambiar o añadir obligaciones a esta garantía. Las obligaciones de servicio y repuestos impuestas por esta garantía debe satisfacerlas Electrolux Professional, Inc. o una empresa de servicios autorizada. Las características o especificaciones que se describen o ilustran están sujetas a cambios sin previo aviso.

(Noviembre de 2023)

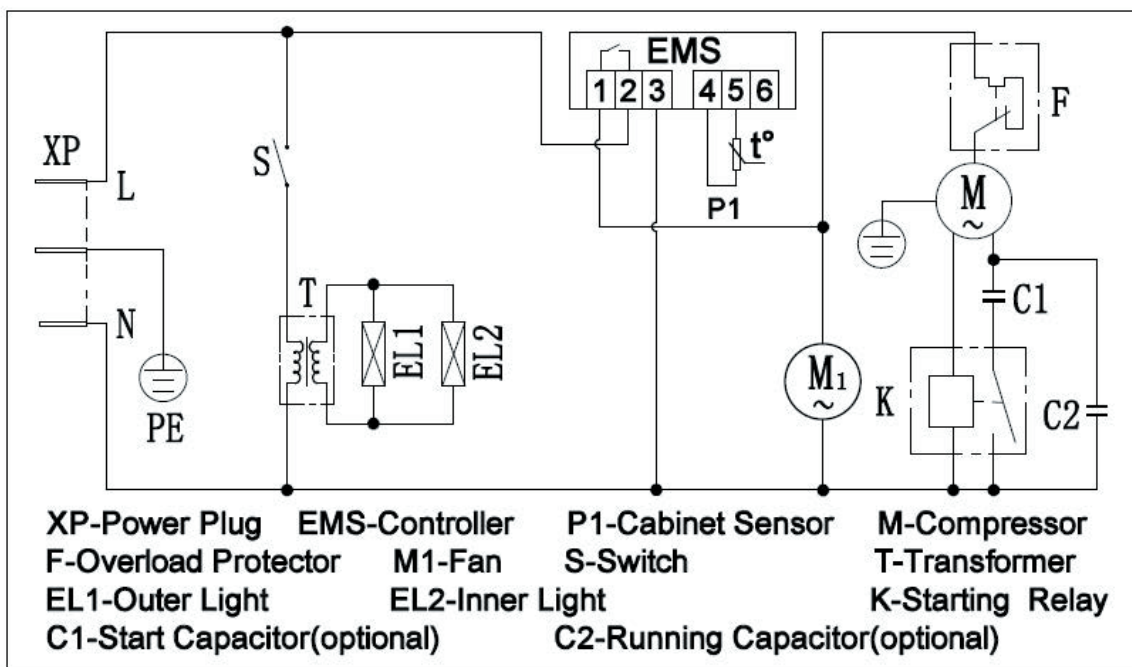
866-339-8515

Electrolux Professional, Inc.

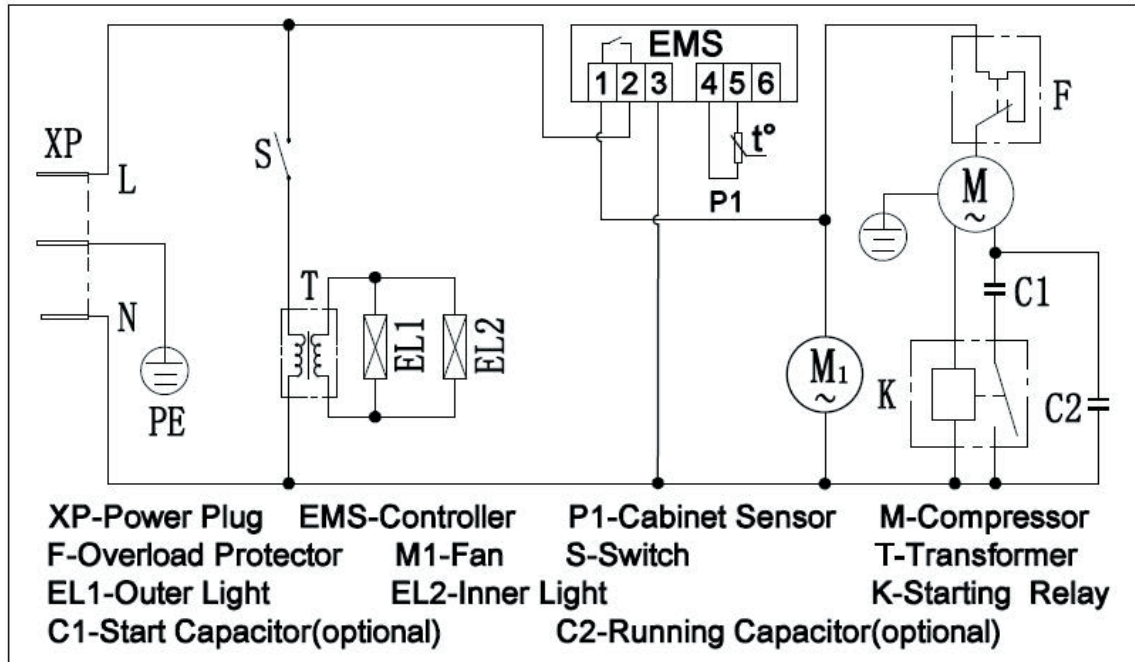
# Diagrama de cableado



# Diagrama de cableado



# Diagrama de cableado



# Diagrama de cableado

